

Hy-Lok 110 Series

Ball Valves



for use with 1/4" thru 2" Tube and Piping Systems

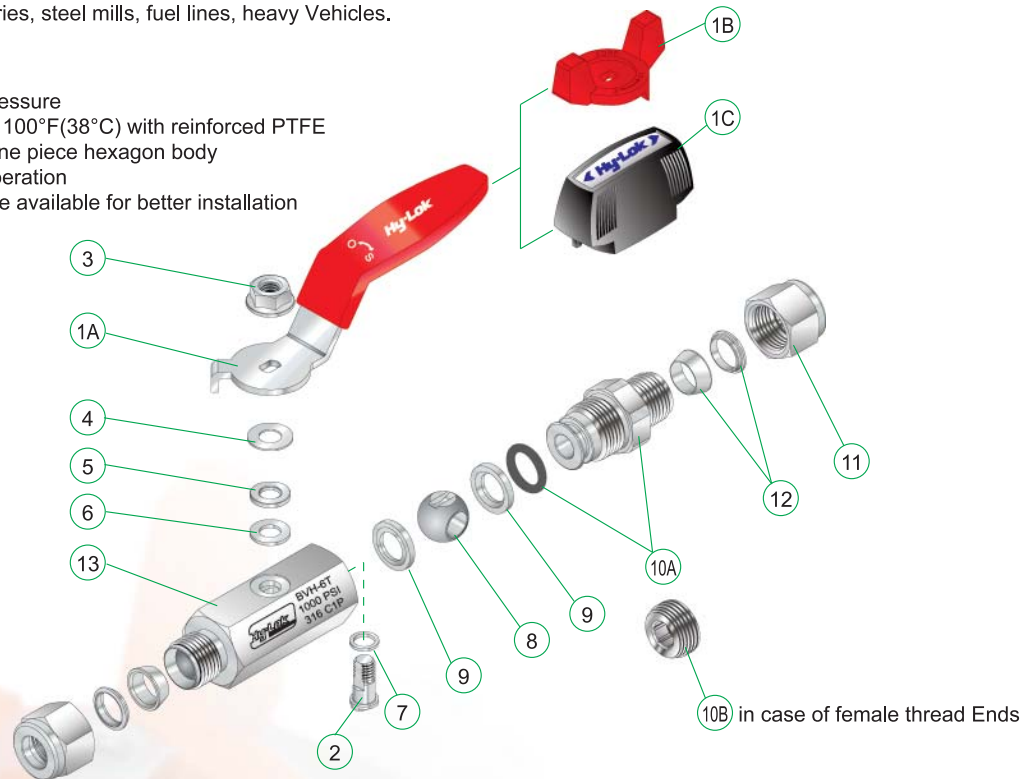
Catalog No. H-110BV
Mar. 2007

Application

Chemical plants, refineries, steel mills, fuel lines, heavy Vehicles.

Features

Maximum Operating Pressure of 1000psig(69barg) @ 100°F(38°C) with reinforced PTFE
Compact Design with one piece hexagon body
Low Torque for easy operation
Butterfly & Nylon Handle available for better installation in a restricted space

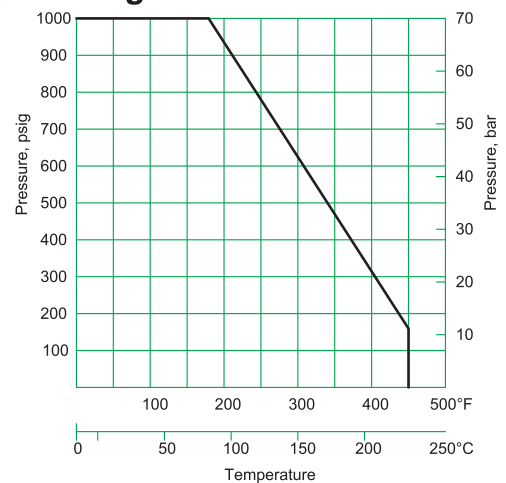


Material of Constructions

Item	Description	Grade / ASTM Specification	
		SS316	Brass
1A	Handle	SS316 Lever with Coated(Red Color)	
1B		Zinc with Nickel Plated(Red & Blue Color available)	
1C		Dielectric Nylon(Black Color)	
2	Stem	SS316 / A479	
3	Lock Nut	SS316	
4	Gland Washer	SS316	
5	Gland	SS316	
6	Outer Packing	Reinforced PTFE	
7	Inner Packing	Reinforced PTFE	
8	Ball	SS316 / A479	
9	Seat	Reinforced PTFE	
10A	End Connector	SS316 / A479	Brass / B16
10B		with O-Ring*	
11	Nut	SS316 / A479	Brass / B16
12	Ferrule	SS316 / A479	Brass / B16
13	Body	SS316 / A479	Brass / B16

*:O-Ring of NBR standard, FPM(e.g Viton)on request.

Pressure-Temperature Rating



HY-LOK CORPORATION

© 1998, 2000, 2002, 2007 HY-LOK CORPORATION All rights reserved

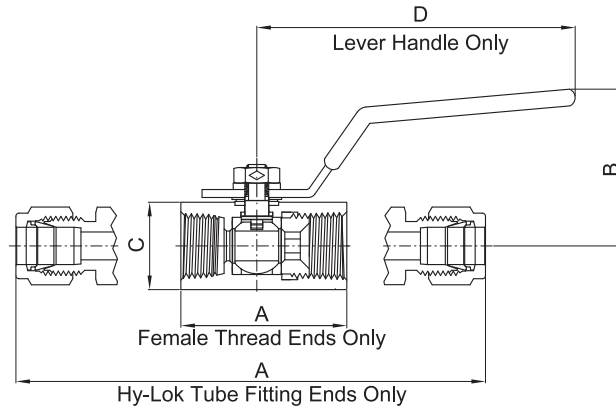
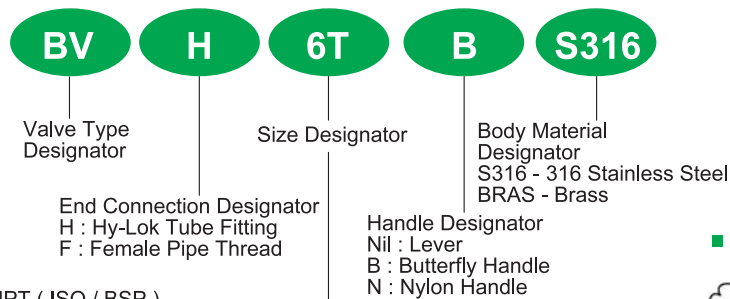


Table of Dimensions

Basic Part NO.	Orifice	Cv	End Connections	Dimensions				Weight (kg)
				A	B	C (Hex)	D	
BVH-6M	5.0	0.84	6mm Hy-Lok	79.5	31	17.0	60.0	0.13
BVH-4T			1/4" Hy-Lok	79.5				0.13
BVF-4N			1/4" Female NPT	40.0				0.07
BVH-10M	7.5	4.20	10mm Hy-Lok	90.0	40	20.6	80.0	0.22
BVH-6T			3/8" Hy-Lok	90.0				0.22
BVF-6N			3/8" Female NPT	45.0				0.13
BVH-12M	9.0	6.50	12mm Hy-Lok	99.0	42	27.0	80.0	0.34
BVH-8T			1/2" Hy-Lok	99.0				0.34
BVF-8N			1/2" Female NPT	54.5				0.21
BVH-16M	12.5	8.00	16mm Hy-Lok	109.0	51	32.0	100.0	0.49
BVH-10T			5/8" Hy-Lok	109.0				0.49
BVF-12N			3/4" Female NPT	61.0				0.33
BVH-12T			3/4" Hy-Lok	110.0				0.57
BVH-16T	16.0	25.00	1" Hy-Lok	134.0	55	38.0	100.0	0.85
BVF-16N			1" Female NPT	76.0				0.60
BVF-20N	21.0	-	1 1/4" Female NPT	89.0	65	50.0	151.0	0.90
BVF-24N	24.0	-	1 1/2" Female NPT	95.0	68	55.0	148.5	1.10
BVF-32N	32.0	-	2" Female NPT	110.0	73	70.0	144.0	2.00

All dimensions are in millimeters. Dimensions shown with Hy-Lok nuts in finger-tight position, where applicable.

Ordering Information



NPT (ISO / BSP)

Thread (in.)	1/4	3/8	1/2	3/4	1	1 1/4	1 1/2	2
Designator	4N(R)	6N(R)	8N(R)	12N(R)	16N(R)	20N(R)	24N(R)	32N(R)

Tube

Fractional Tube	O.D.(in.)	1/4	5/16	3/8	1/2	5/8	3/4	7/8	1
Designator		4T	5T	6T	8T	10T	12T	14T	16T
Metric Tube	O.D.(mm)	6	8	10	12	15	16	22	25
Designator		6M	8M	10M	12M	15M	16M	22M	25M

Note "*/": No designator is required for Lever Handle e.g. BVH-6T - S316

SAFETY in VALVE SELECTION

Proper installation, material compatibility, operation and maintenance of these valves are the responsibility of the user. The total system design must be taken into consideration to ensure optimal performance and safety.

QUALITY SYSTEM CERTIFICATES



ISO 9001
CERTIFICATE NO.GQC 212

ASME SECT III (MO)
CERTIFICATE NO. QSC 584

TYPE APPROVALS (for Hy-Lok Tube Fittings)



American Bureau Shipping
CERTIFICATE NO.00-BK50288-X



Lloyd's Register
CERTIFICATE NO.01/10075



GERMANISCHER LLOYD
CERTIFICATE NO.57798-91 HH



DET NORSKE VERITAS
CERTIFICATE NO.P-9100



Distributed by :

www.hy-lok.com